

负温度系数(NTC)热敏电阻器

Negative Temperature Coefficient (NTC) Thermistor

MF73超大功率型NTC热敏电阻器系列

MF73 Series NTC Thermistor for Super High-Power Inrush Current Limiting

● 特点 Features

- 结构可靠、便于安装
- 抑制浪涌电流能力强、吸收能量大
- 工作的稳态电流大
- 寿命长、可靠性高

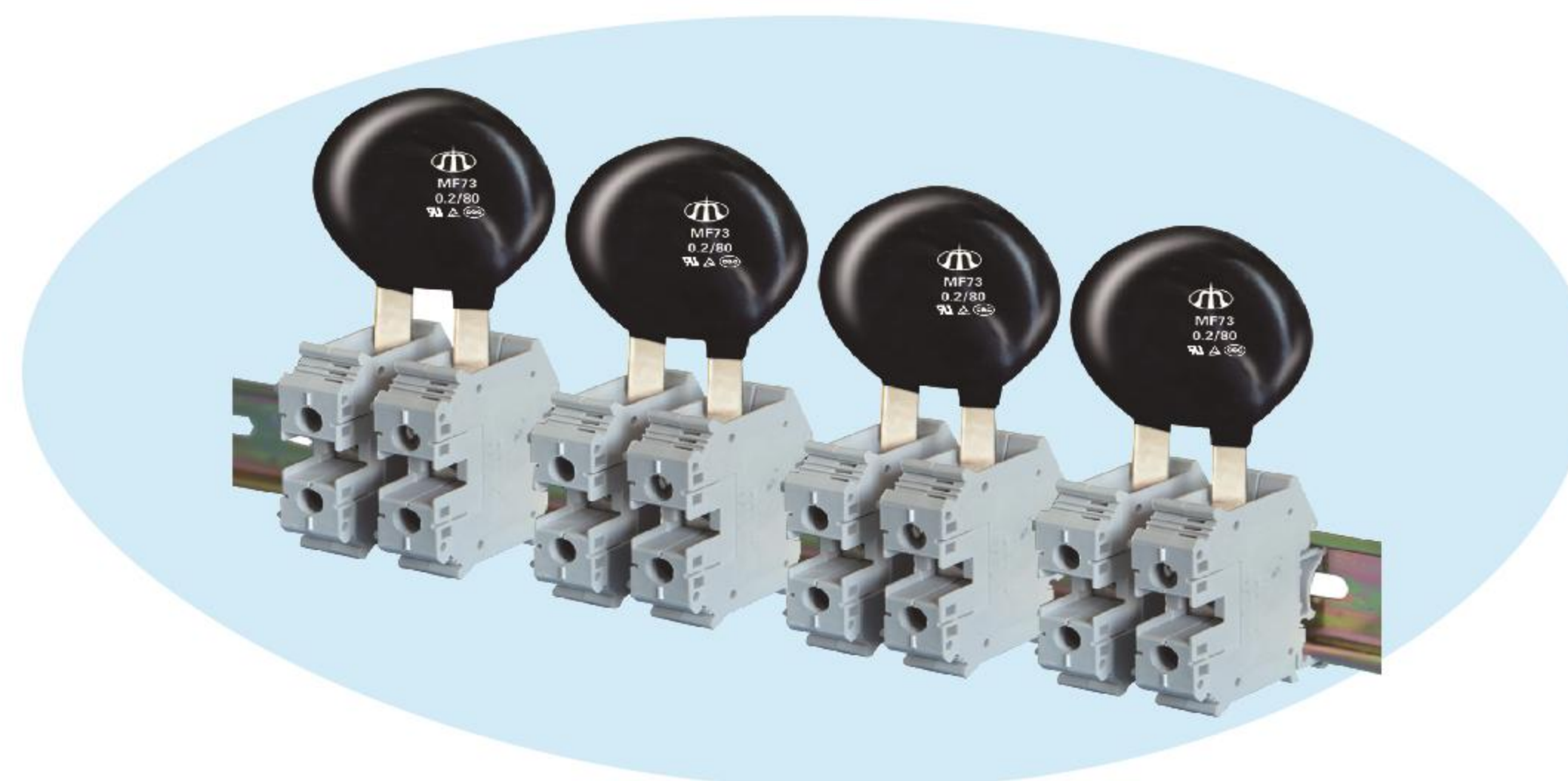
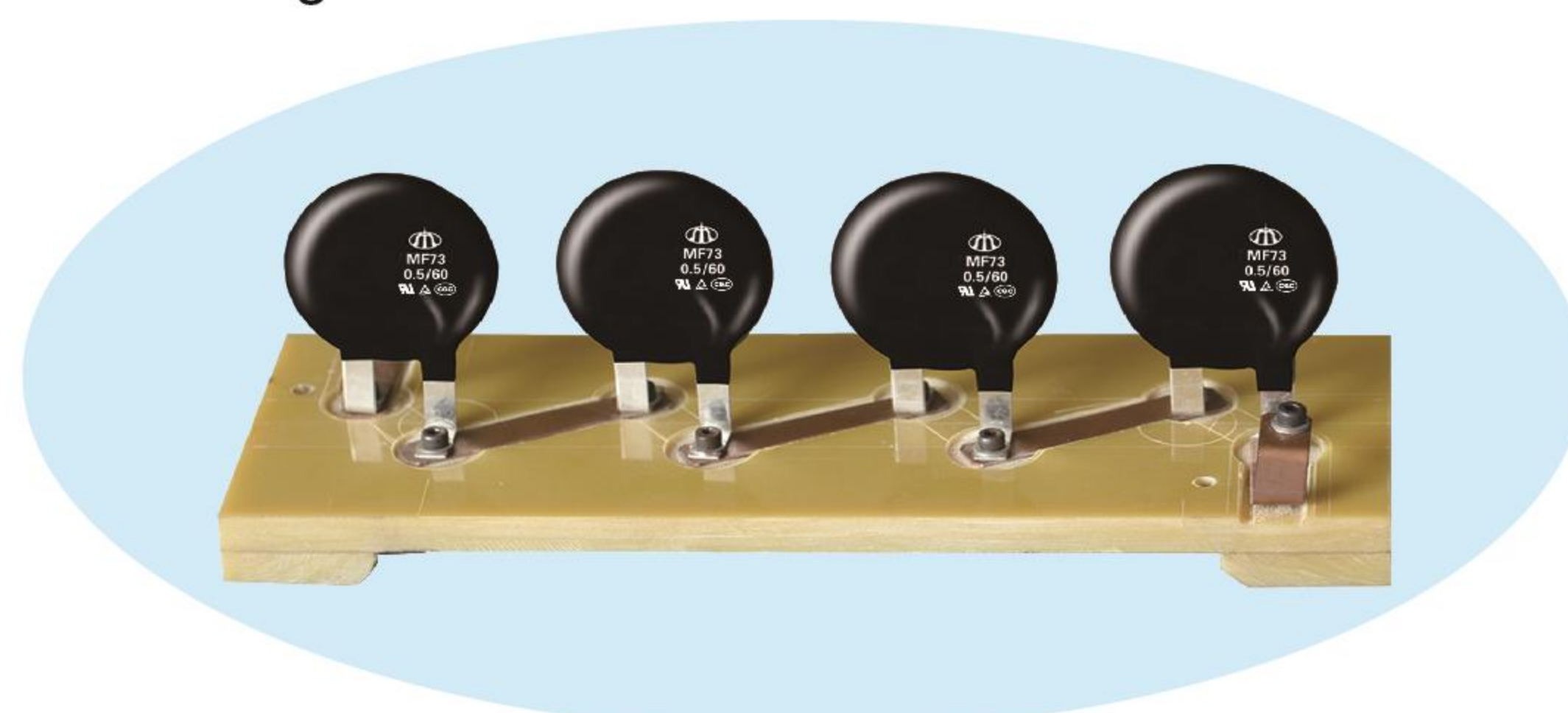
- Reliable structure, Easy to install.
- Strong surge current suppression, High energy absorption.
- High steady-state operating current.
- Long lifespan, High reliability.

● 应用范围 Applications

- 各种大功率开关电源、UPS电源、转换电源
- 电动汽车充电器、充电桩
- 电机驱动装置、大功率伺服电机驱动器、逻辑控制器
- 大功率等离子体焊接机、切割机、大功率照明灯具
- 核磁共振设备、大功率专业音频功放机、大功率环形变压器、大容量功率逆变器的太阳能电池板阵列
- 高压电源驱动的工业机器人、低压智能电柜

- Various high-power switching power supplies, UPS systems, converters.
- Electric vehicle chargers and charging stations.
- Motor drive units, high-power servo motor drivers, logic controllers.
- High-power plasma welders, cutters, high-power lighting fixtures.
- Magnetic Resonance Imaging (MRI) systems, high-power professional audio amplifiers, high-power toroidal transformers, and large-capacity power inverters for solar panel arrays.
- Industrial robots driven by high-voltage power sources, low-voltage smart switchboards.

● MF73产品标志说明 Marking Instruction



● 安规认证 Certifications



UL1434 认证
UL1434 Certification
(File# E241319)



CQC认证
CQC Certification
(File# CQC22001370459)



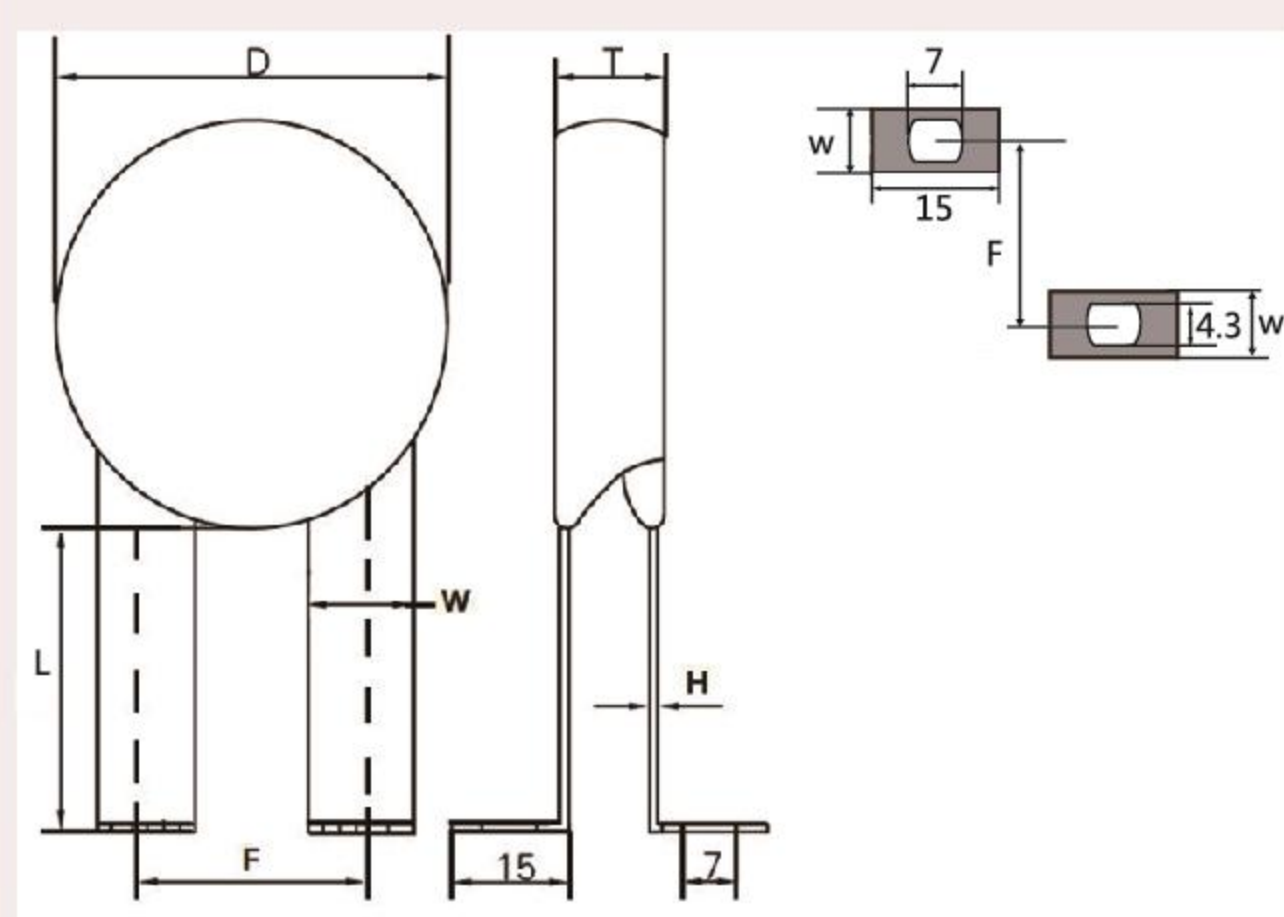
TUV认证
TUV Certification
(File# R50245892)

MF73 超大功率型NTC热敏电阻器系列

MF73 Series NTC Thermistor for Super High-Power Inrush Current Limiting

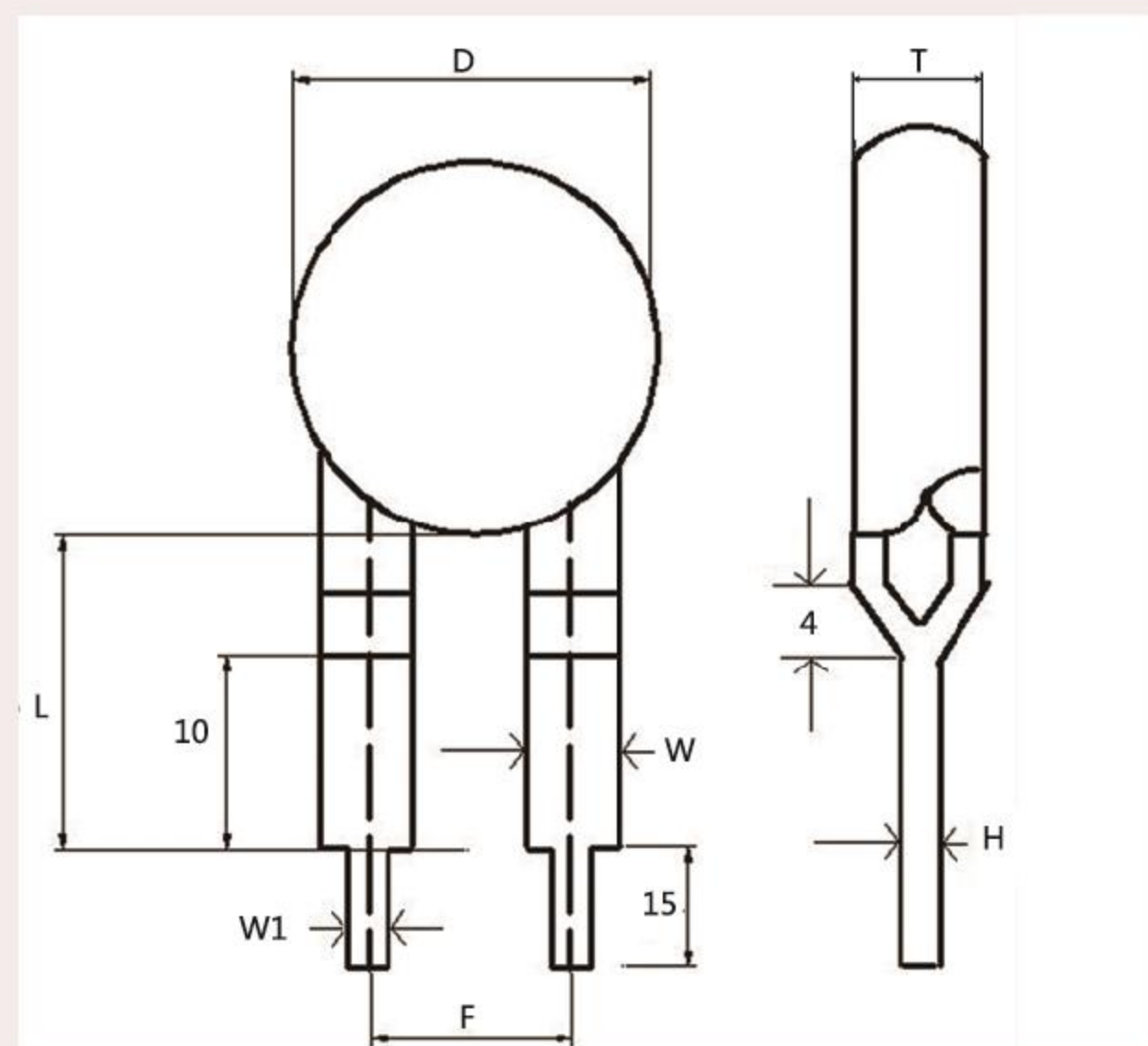
● 外形尺寸 Dimensions (mm)

弯线/Curved



尺寸 Dim. (mm)	代号 Code	D max	L±2	W±0.2	F±1.5	Tmax	H±0.1
本体直径 Body diameter (mm)							
Φ40		45	20	8	22.5	18	1.0
Φ45		50	20	8	22.5	18	1.0
Φ50		55	20	8	22.5	18	1.0

直线/Straight



尺寸 Dim. (mm)	代号 Code	D max	L±2	W±0.2	F±1.5	Tmax	H±0.1
本体直径 Body diameter (mm)							
Φ40		45	30	10	22.5	18	1.0
Φ45		50	30	10	22.5	18	1.0
Φ50		55	30	10	22.5	18	1.0

● 主要技术参数 Main Technical Specifications

工作温度 Operating Temperature (°C): -40~+200°C

型号 Part No.	R ₂₅ ±20% (Ω)	B _{25/50} ±10%	25°C时最大稳态电流 Max. Steady-state Current at 25°C	最大电流时近似电阻值 Approx. Resistance at Max. Current	25°C时最大额定功耗 Max. Power Rating at 25°C	最大冲击电容量 Max. Capacitance at 240 VAC	产品认证 Product Certification		
		(K)	I _{max} (A)	R _I max (Ω)	P _{max} (W)	(μF)	CQC	TUV	UL/CUL
本体直径 Body diameter : Φ40mm									
MF73 0.2/50	0.2	2600	50	0.005	25.0	16000	√	√	
MF73 0.5/40	0.5	2600	40	0.008		16000	√	√	
MF73 1/40	1	2600	40	0.01		14000	√	√	
MF73 1.5/36	1.5	2600	36	0.012		14000	√	√	
MF73 2/32	2	2600	32	0.014		14000	√	√	
MF73 2.5/30	2.5	2800	30	0.018		14000	√	√	
MF73 3/28	3	2800	28	0.02		14000	√	√	
MF73 4/27	4	2800	27	0.022		14000	√	√	
MF73 4.7/26	4.7	3000	26	0.023		11000	√	√	
MF73 5/25	5	3000	25	0.028		11000	√	√	
MF73 6.8/23	6.8	3000	23	0.03		11000	√	√	
MF73 8/20	8	3200	20	0.034		11000	√	√	
MF73 10/19	10	3200	19	0.038		9000	√	√	
MF73 12/18	12	3200	18	0.04		9000	√	√	
MF73 15/16	15	3200	16	0.05		9000	√	√	
MF73 18/14	18	3200	14	0.062		9000	√	√	
MF73 20/13	20	3200	13	0.075		9000	√	√	

 注: 若非特别指出, R₂₅的允许偏差为±20%
 Note: Unless otherwise specified, the allowable tolerance for R₂₅ is ±20%.

MF73超大功率型NTC热敏电阻器系列
MF73 Series NTC Thermistor for Super High-Power Inrush Current Limiting
● 主要技术参数 Main Technical Specifications

工作温度 Operating Temperature (°C): -40~+200°C

型号 Part No.	R ₂₅ ±20% (Ω)	B _{25/50} ±10% (K)	25°C时最大稳态电流 Max. Steady-state Current at 25°C	最大电流时近似电阻值 Approx. Resistance at Max. Current	25°C时最大额定功耗 Max. Power Rating at 25°C	最大冲击电容量 Max. Capacitance at 240 VAC	产品认证 Product Certification		
			I _{max} (A)	R _I max (Ω)	P _{max} (W)	(μF)	CQC	TUV	UL/CUL
本体直径 Body diameter : Φ45mm									
MF73 0.2/65	0.2	2600	65	0.004	30	18000	√	√	
MF73 0.5/50	0.5	2600	50	0.007		18000	√	√	
MF73 1/48	1	2600	48	0.009		16000	√	√	
MF73 1.5/45	1.5	2600	45	0.011		16000	√	√	
MF73 2/40	2	2600	40	0.012		16000	√	√	
MF73 2.5/37	2.5	2800	37	0.015		16000	√	√	
MF73 3/35	3	2800	35	0.018		16000	√	√	
MF73 4/34	4	2800	34	0.02		13000	√	√	
MF73 4.7/32	4.7	3000	32	0.022		13000	√	√	
MF73 5/30	5	3000	30	0.025		13000	√	√	
MF73 6.8/28	6.8	3000	28	0.028		13000	√	√	
MF73 8/26	8	3200	26	0.03		13000	√	√	
MF73 10/24	10	3200	24	0.032		10000	√	√	
MF73 12/22	12	3200	22	0.034		10000	√	√	
MF73 15/20	15	3200	20	0.042		10000	√	√	
MF73 18/18	18	3200	18	0.061		10000	√	√	
MF73 20/16	20	3200	16	0.07	10000	√	√		
本体直径 Body diameter : Φ50mm									
MF73 0.2/80	0.2	2600	80	0.003	36	20000	√	√	√
MF73 0.5/60	0.5	2600	60	0.006		20000	√	√	√
MF73 1/56	1	2600	56	0.008		18000	√	√	√
MF73 1.5/50	1.5	2600	50	0.01		18000	√	√	√
MF73 2/45	2	2600	45	0.011		18000	√	√	
MF73 2.5/42	2.5	2800	42	0.012		18000	√	√	√
MF73 3/40	3	2800	40	0.015		18000	√	√	√
MF73 4/38	4	2800	38	0.018		18000	√	√	
MF73 4.7/36	4.7	3000	36	0.021		15000	√	√	
MF73 5/35	5	3000	35	0.022		15000	√	√	√
MF73 6.8/32	6.8	3000	32	0.025		15000	√	√	
MF73 8/29	8	3200	29	0.028		15000	√	√	
MF73 10/27	10	3200	27	0.03		12000	√	√	√
MF73 12/25	12	3200	25	0.033		12000	√	√	
MF73 15/23	15	3200	23	0.04		12000	√	√	
MF73 18/20	18	3200	20	0.055		12000	√	√	
MF73 20/18	20	3200	18	0.065	12000	√	√		
MF73 25/15	25	3200	15	0.085	12000	√	√		

 注: 若非特别指出, R₂₅的允许偏差为±20%

 Note: Unless otherwise specified, the allowable tolerance for R₂₅ is ±20%.